

SPECIFICATIONS

OUTDOOR

HOUSING

- Heavy duty die cast aluminum housing
- Available in bronze, black, white, and silver
- Snap-fit housing to mounting plate for easy access
- Corrosion resistant housing and hardware
- OxyShield 9-stage anti-oxidation process
- Silicone rubber gasket

WARRANTY

- 5 Year
- 10 Year Available

OPERATION

PC Model

Switchable AC operation for use as dusk to dawn with photocontrol, or use as normally open switch by disabling photocontrol

OCC Model

Infrared motion sensor (up to 10' detection), operational from dusk to dawn. Unit will shut off after two minutes of inactivity. Light will activate in AC mode when motion is detected

ELECTRICAL

- Quad Tap (QT) - 120/208/240/277V
- Dimmable driver standard
- Operating Temperature: -13°F (-25°C) - 122°F (50°C)

OPTICAL SYSTEM

- High quality heat sinks for temperature control
- IC current controlled LED circuits
- 72,000 Hours @ L₇₀
- CRI>70
- Available in 4000K
- Type I Distribution

ILLUMINATION

- 15W (32W for EBLED models)

BATTERY

- Optional battery (EBLED) will run for 90 minutes
- 24 hour recharge time
- Standard with self testing
- Standard with heater, -25°C (-13°F) starting temperature

MOUNTING

- Universal knockout pattern on back for 3" and 4" JBox
- 1/2" Threaded conduit entry for top feed

CODE COMPLIANCE

- cULus Listed for Wet Locations
- IP65 Rated
- Complies with Title 24 of the California Code
- Meets DLC Requirements

ORDERING INFORMATION

CATALOG #	Lumens	Color	Battery
WP62-E-15L-QT-40K-*-PC	1,500	4000K	No
WP62-E-15L-QT-40K-*-PC-EBLED	1,500	4000K	Yes
WP62-E-15L-QT-40K-*-OCC	1,500	4000K	No
WP62-E-15L-QT-40K-*-OCC-EBLED	1,500	4000K	Yes

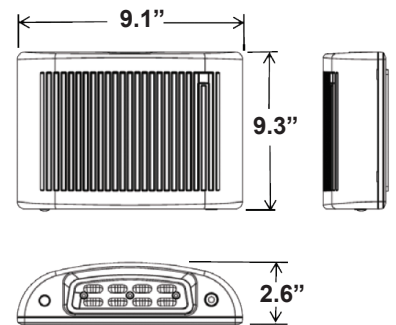
*Select **BRonze**, **BLack**, **WHite**, **SILver**

Options (Factory Installed)

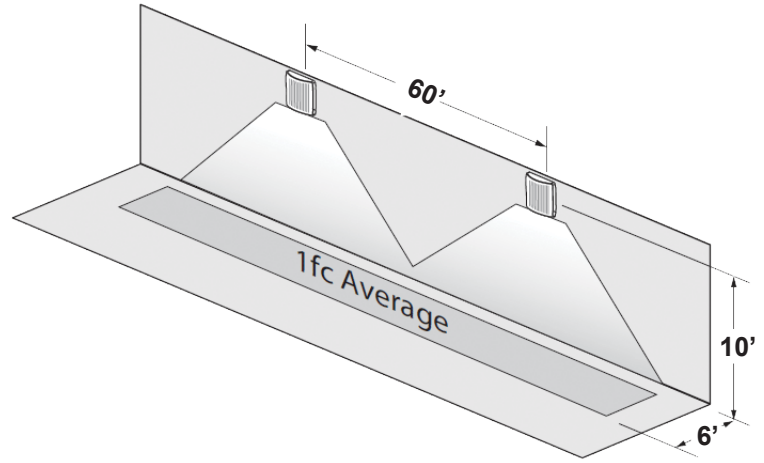
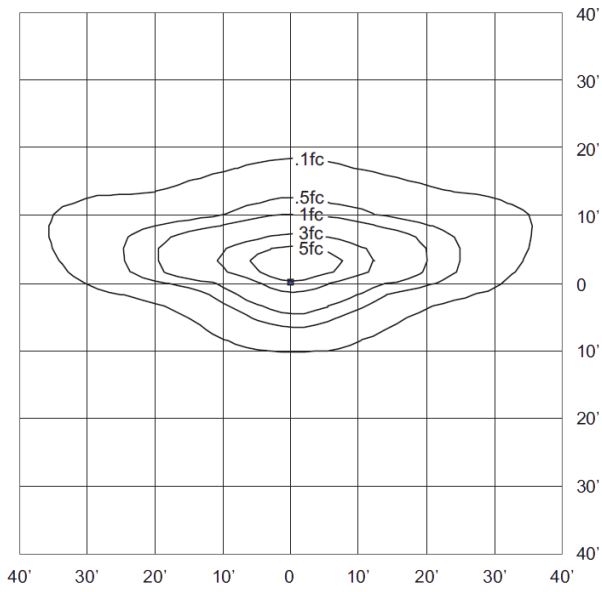
10YR - 10 Year Warranty



WP62-E LED Down Light Wall Pack



PHOTOMETRICS



WP62-E-52L-QT-40K
Mounting Height = 10ft