

SPECIFICATIONS

OUTDOOR

HOUSING

- Heavy duty die cast aluminum housing
- Textured architectural bronze powdercoat finish
- 1/2" Coin plugs with O-rings for Conduit
- Photocell on two sides & back
- Nickel-plated stainless steel hardware

ELECTRICAL

- Quad Tap (QT) - 120/208/240/277V
- Dimmable driver standard
- 347V-480V also available
- Operating Temperature: -40°C (-40°C) - 40°C (104°F)

OPTICAL SYSTEM

- Low-profile clear acrylic prismatic lens
- 177,000 hours @ L₇₀
- CRI >80
- Power Factor > .9
- THD < 20%
- Type V

ILLUMINATION

- 45W (53 system watts)
- ~175W HID

MOUNTING

- Mounts directly over a 4" recessed outlet box
- 1/2" Surface conduit, downrod or Quick-mount bracket

CODE COMPLIANCE

- cSAus Listed for Wet Locations (Damp location when used with VRQM)
- Meets UL Requirements
- IP65 Rated Sealed LED Compartment
- Assembled in USA available
- Meets DLC Requirements

WARRANTY

- 5 Year
- 10 Year available

ORDERING INFORMATION

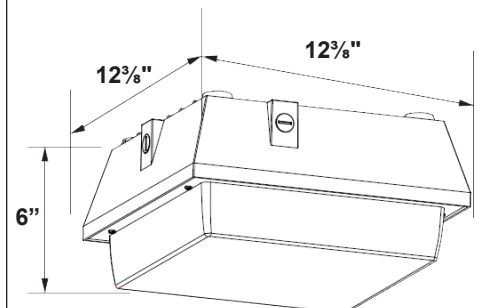
CATALOG #	Lumens	Distribution	Color
VR2-Q-45L-QT-40K	5,210	Type V	4000K
VR2-Q-45L-QT-50K	5,427	Type V	5000K

OPTIONS (Factory Installed)

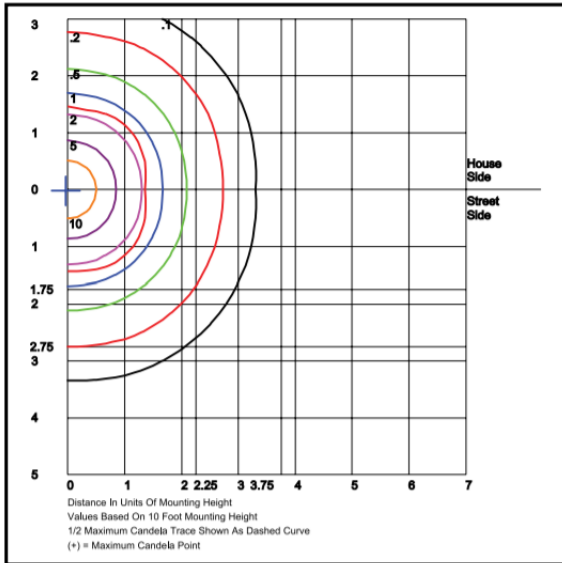
EBLED	-	Battery Backup
OCS	-	Occupancy Sensor
		<i>For 8-40' mounting height</i>
VRQM	-	Quick Mount/Pendant Mount
SGP	-	Surge Protection
SGF	-	Single Fuse
DBF	-	Double Fuse
480V	-	347-480V Driver
PC3	-	120-277V Photocell
10YR	-	10 Year Warranty
CC	-	Custom Color



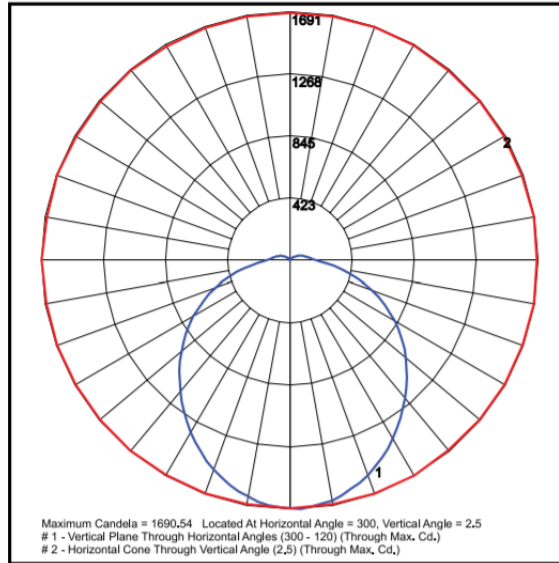
VR2-Q-LED Large Shallow LED Canopy Light



PHOTOMETRICS



VR2-Q-45L-QT-50K



VR2-Q-45L-QT-50K