

SPECIFICATIONS

INDOOR

HOUSING

- Aluminum frame and steel housing backplate
- Available in 1X4, 2x2 and 2x4 models

ELECTRICAL

- Quad-Tap (120-277Vac)
- 0-10V Dimmable driver standard
- Operating Temperature: -17°C (1°F) - 45°C (113°F)
- 2kV Surge protection standard

OPTICAL SYSTEM

- PMMA LED lenses for optimal light distribution
- MCT (field selectable between 35K/40K/50K)
- CRI > 80
- Beam angle: 120°

CODE COMPLIANCE

- cETLus Listed for Damp Locations and insulated ceilings (Type IC-Rated)
- DLC Listed
- NSF Approved
- FCC Compliant
- RoHS Compliant

WARRANTY

- 5 Year



FP14-SA LED Selectable NSF Panel

ORDERING INFORMATION

CATALOG #	Size	Wattage	Lumens	Color
FP11-SA-14-1L-QT-MCT	1x4	20W/30W/40W	2200 - 4600 Lms	35K/40K/50K
FP11-SA-22-1L-QT-MCT	2x2	20W/30W/40W	2200 - 4600 Lms	35K/40K/50K
FP11-SA-24-1L-QT-MCT	2x4	30W/40W/50W	3300 - 5750 Lms	35K/40K/50K

Catalog #	Low Lumens			Mid Lumens			High Lumens		
VLFP9-B-14-1L-MCT	3500K	4000K	5000K	3500K	4000K	5000K	3500K	4000K	5000K
	2584 Lm	2729 lm	2656 Lm	3425 Lm	3713 Lm	3531 Lm	4085 Lm	4342 Lm	4218 Lm
	20W	19W	20W	28W	27W	28W	35W	33W	34W
Catalog #	Low Lumens			Mid Lumens			High Lumens		
VLFP9-B-22-1L-MCT	3500K	4000K	5000K	3500K	4000K	5000K	3500K	4000K	5000K
	2733 Lm	2802 lm	2810 Lm	3632 Lm	3810 Lm	2743 Lm	4072 Lm	4290 Lm	4179 Lm
	20W	19W	20W	28W	27W	28W	32W	32W	32W
Catalog #	Low Lumens			Mid Lumens			High Lumens		
VLFP9-B-24-1L-MCT	3500K	4000K	5000K	3500K	4000K	5000K	3500K	4000K	5000K
	3284 Lm	3323 lm	3389 Lm	4448 Lm	4576 Lm	4538 Lm	5015 Lm	5247 Lm	5157 Lm
	24W	23W	24W	33W	32W	33W	38W	37W	38W

Catalog #	EBLCP5W		EBLCP10W		EBLCP13W	
	Watts	EM Lumens	Watts	EM Lumens	Watts	EM Lumens
VLFP9-B-22-1L-MCT	5W	650	10.7W	1300	13.7W	1690
VLFP9-B-24-1L-MCT	5W	650	10.7W	1300	13.7W	1690

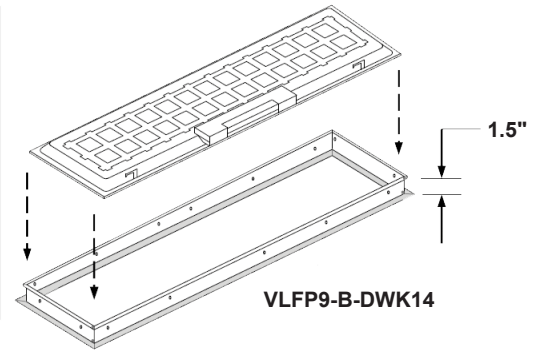
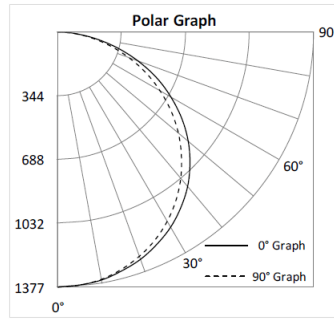
PHOTOMETRIC DATA

VLFP9-B-14-1LQT-MCT
Luminaire Data

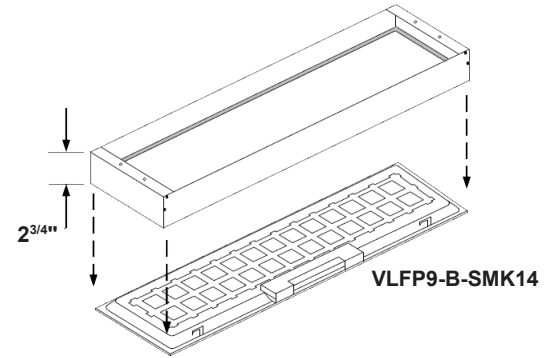
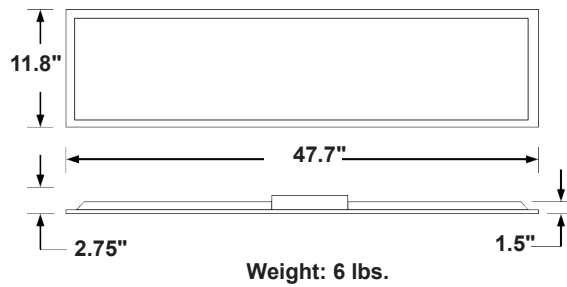
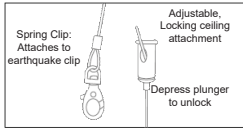
Description	Back Lit Panel 1X4
Total Lumens	4,218
Input Wattage	34
Efficacy (lm/W)	123
Spacing Criterion (0-180°)	1.32
Spacing Criterion (90-270°)	1.28

Zonal Lumen Summary

Zone	Lumens	%Fixt
0-20°	506	12.0%
0-30°	1,085	25.7%
0-40°	1,796	42.6%
20-50°	2,044	48.4%
40-70°	1,995	47.3%
0-60°	3,246	77.0%
0-80°	4,117	97.6%
0-90°	4,213	99.9%
90-180°	5	0.1%
0-180°	4,218	100.0%



VLFP9-B-CMK



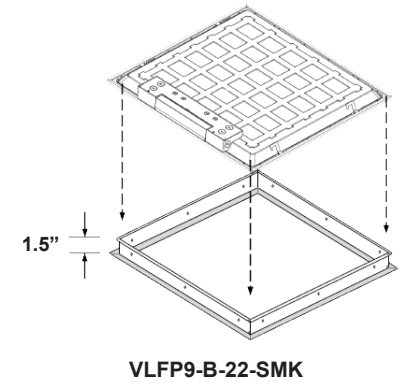
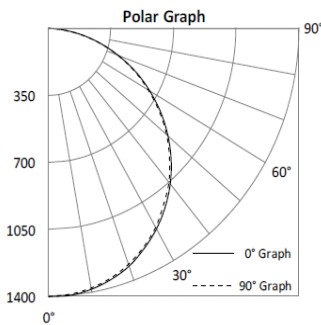
PHOTOMETRIC DATA

VLFP9-B-22-1LQT-MCT
Luminaire Data

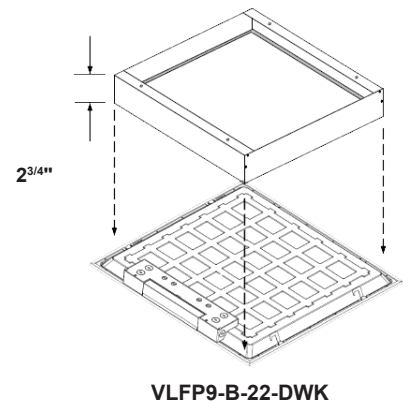
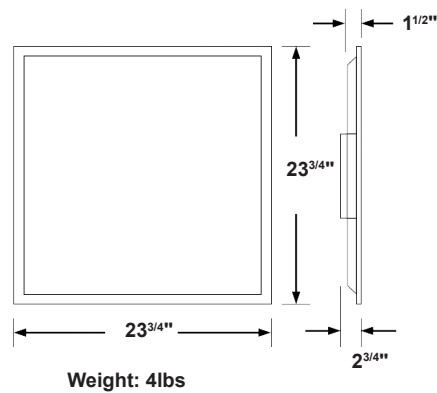
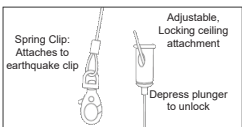
Description	Back Lit Panel 2X2
Total Lumens	4,179
Input Wattage	32
Efficacy (lm/W)	130
Spacing Criterion (0-180°)	1.3
Spacing Criterion (90-270°)	1.28

Zonal Lumen Summary

Zone	Lumens	%Fixt
0-20°	514	12.3%
0-30°	1,098	26.3%
0-40°	1,810	43.3%
20-50°	2,043	48.9%
40-70°	1,962	46.9%
0-60°	3,240	77.5%
0-80°	4,087	97.8%
0-90°	4,175	99.9%
90-180°	4	0.1%
0-180°	4,179	100.0%



VLFP9-B-CMK



PHOTOMETRIC DATA

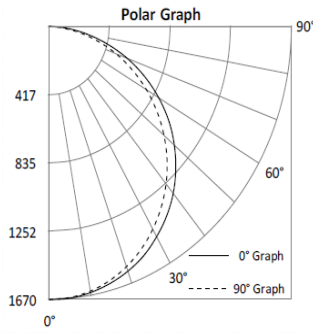
VLFP9-B-24-1LQT-MCT

Luminaire Data

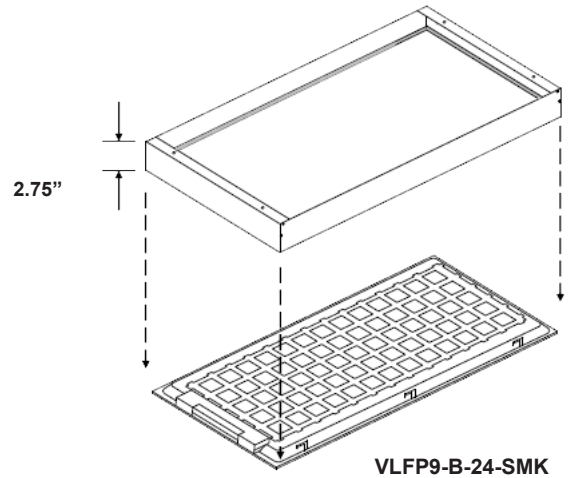
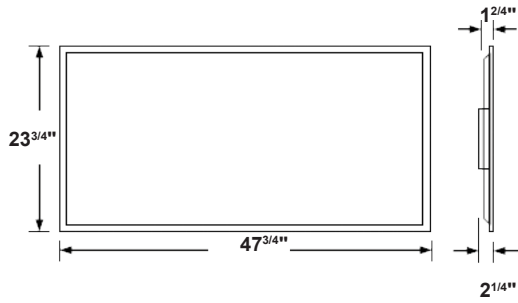
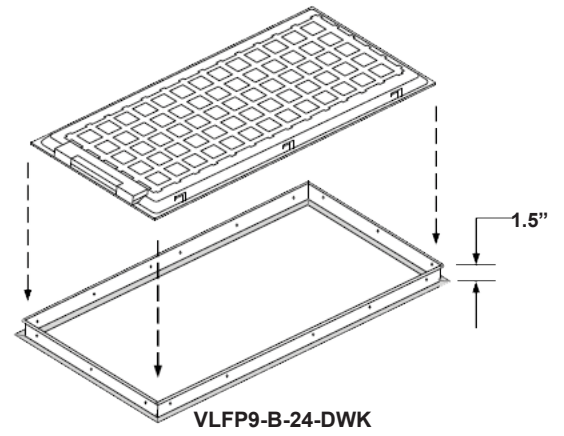
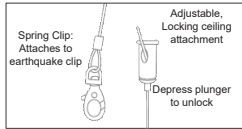
Description	Back Lit Panel 2X4
Total Lumens	5,157
Input Wattage	38
Efficacy (lm/W)	137
Spacing Criterion (0-180°)	1.34
Spacing Criterion (90-270°)	1.28

Zonal Lumen Summary

Zone	Lumens	%Fixt
0-20°	614	11.9%
0-30°	1,316	25.5%
0-40°	2,181	42.3%
20-50°	2,491	48.3%
40-70°	2,457	47.6%
0-60°	3,964	76.9%
0-80°	5,039	97.7%
0-90°	5,152	99.9%
90-180°	5	0.1%
0-180°	5,157	100.0%



VLFP9-B-CMK



Weight: 9lbs