

SPECIFICATIONS

MULTI FAMILY

HOUSING

- Residential or commercial applications
- Diecast aluminum housing
- New construction or remodel use
- Available in square or round housings
- Available in 2" and 4" housing sizes
- Offered in white or black finishes
- No can needed in remodel applications
- New construction rough-in plate available

ELECTRICAL

- 120V
- TRIAC and ELV dimmable down to 5%
- Operating Temperature: -17°C - 45°C (0°F - 113°F)
- 50,000 hours @ L₇₀

OPTICAL SYSTEM

- 5CT (Selectable between 27K/30K/35K/40K/50K)
- High quality heat sinks for temperature control
- IC current controlled LED circuits
- CRI_≥80
- 38° Beam angle

CODE COMPLIANCE

- cETLus Listed for Wet Locations
- CEC Title24 Compliant
- Energy Star Rated
- FCC Compliant

WARRANTY

- 5 Year

ORDERING INFORMATION

CATALOG #	Description
Round	
DLT2-EN-R-8L-120V-5CT-*	2", Round, 8W, 600 Lumens, 27K/30K/35K/40K/50K
DLT2-EN-R-15L-120V-5CT-*	2", Round, 15W, 1000 Lumens, 27K/30K/35K/40K/50K
Square	
DLT2-EN-S-8L-120V-5CT-*	2", Square, 8W, 600 Lumens, 27K/30K/35K/40K/50K
DLT2-EN-S-15L-120V-5CT-*	2", Square, 15W, 1000 Lumens, 27K/30K/35K/40K/50K
DLT4-EN-S-15L-120V-5CT-WH	4", Square, 15W, 1000 Lumens, 27K/30K/35K/40K/50K, White Housing

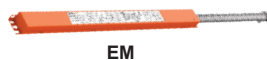
*Specify Housing: **BL-Black**, **WH-White**

Options (Factory Installed)

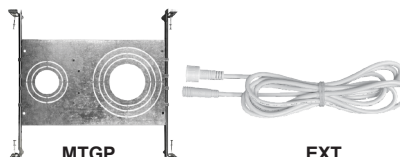
- EM - Emergency Battery Backup
- 24D - 24° Beam Angle (standard 38°)
- 60D - 60° Beam Angle (standard 38°)

Accessories (Order Separately)

- RCAN-EN-MTGP - Universal Pre-Mounting Plate (15¹/₈" x 6³/₄")
- RCAN-EN-EXT6 - 6" Extension Cord
- RCAN-EN-EXT10 - 10" Extension Cord

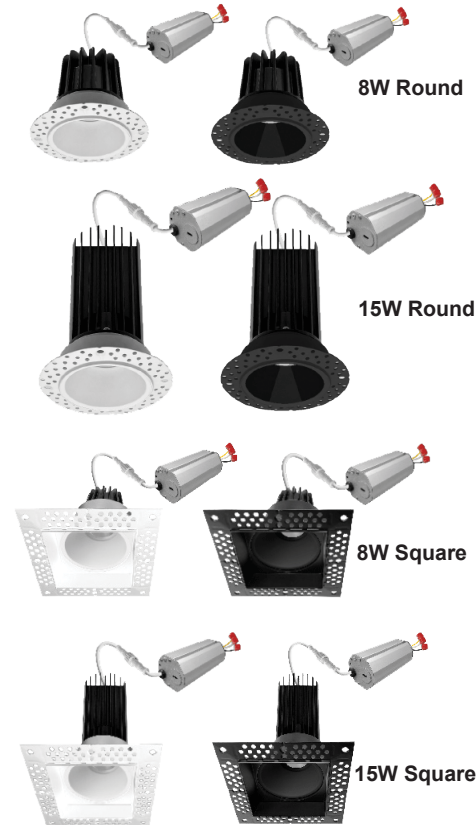


EM



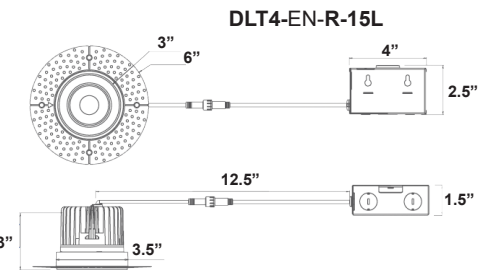
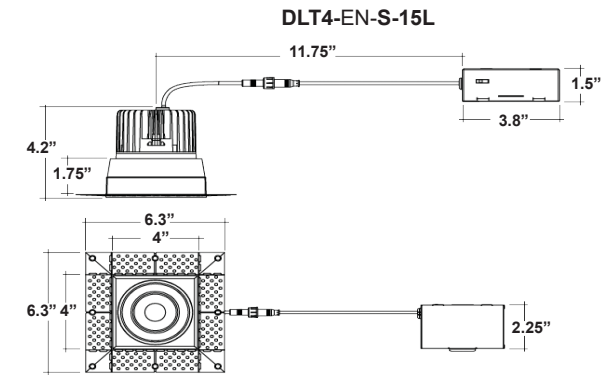
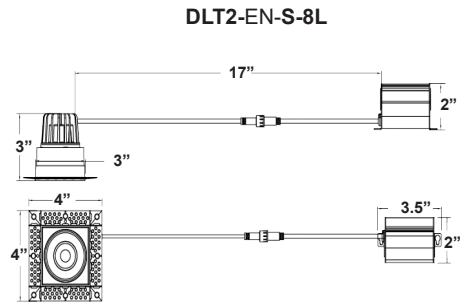
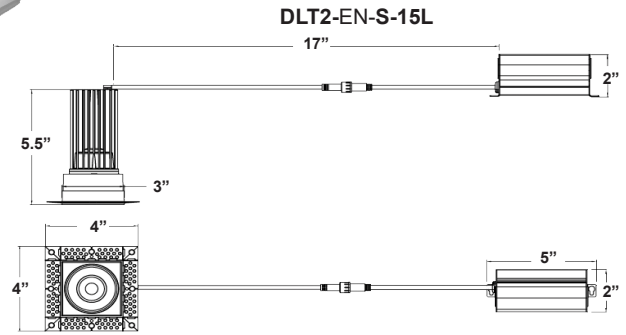
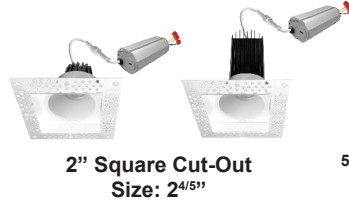
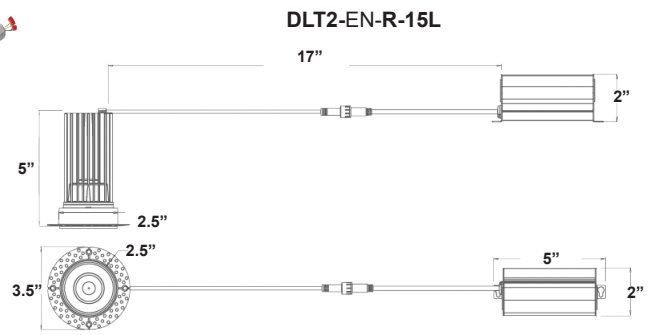
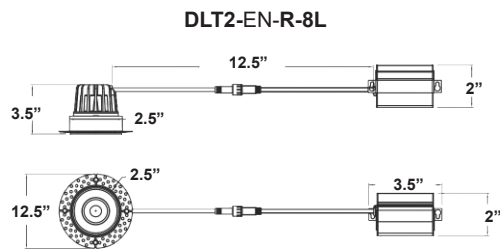
MTGP

EXT



DLT-EN-5CT
Color Selectable
Trimless Downlights

DIMENSIONS



Compatible Dimmer List

MODEL NO.	BRAND
DAL03P	Cooper
9530	Cooper
DLV703	Legrand
H703PTW	Legrand
6633	Leviton
6674	Leviton
6672	Leviton
6613	Leviton
AYCL-153P	Lutron
DV-600PR	Lutron
DVCL-153P	Lutron
MACL-153MH	Lutron
MRF2-6CL	Lutron
D-600P	Lutron
S-600P	Lutron
CT-600P	Lutron
CTCL-153P	Lutron
TG-600P	Lutron
TGCL-153P	Lutron